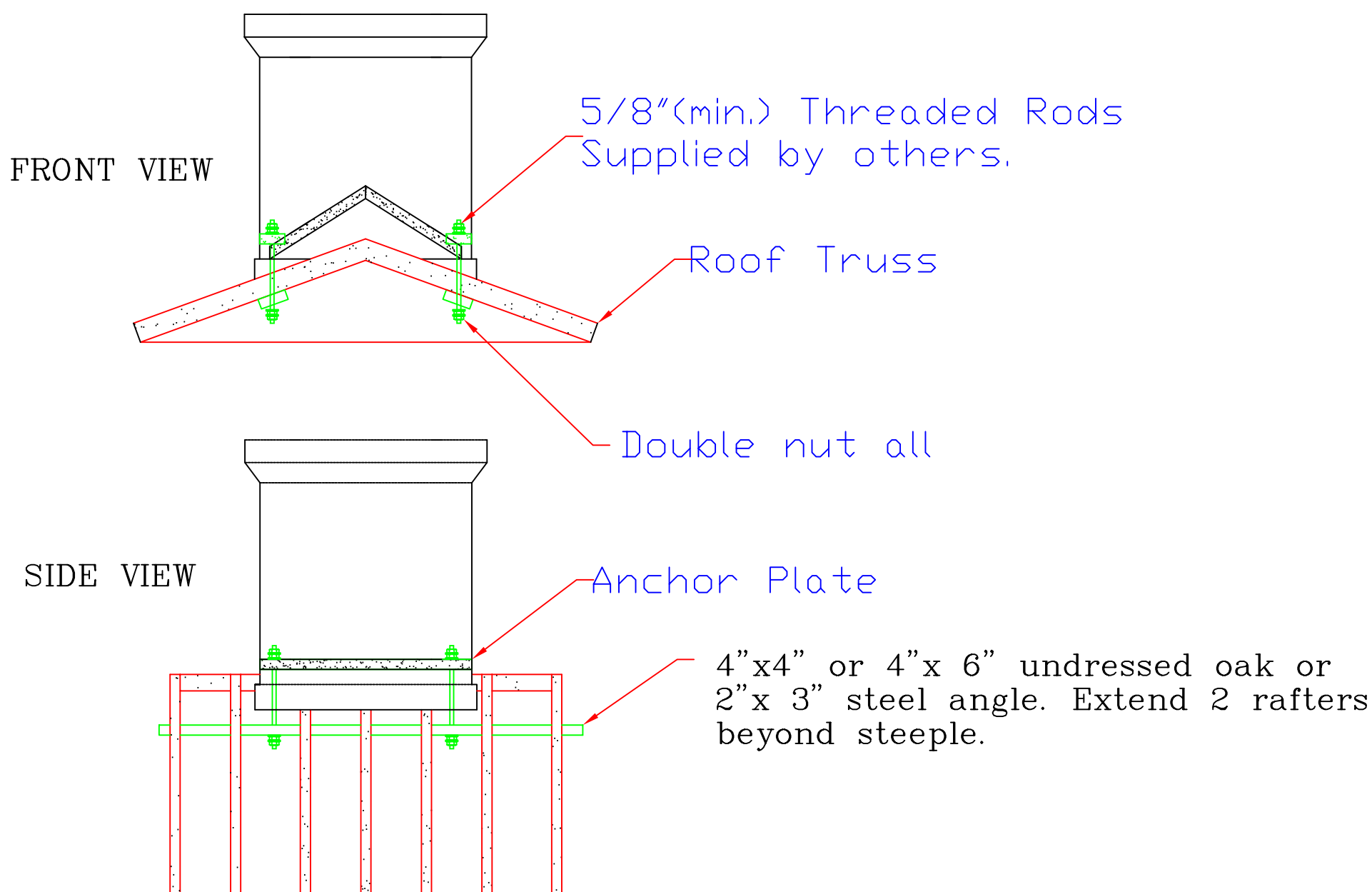
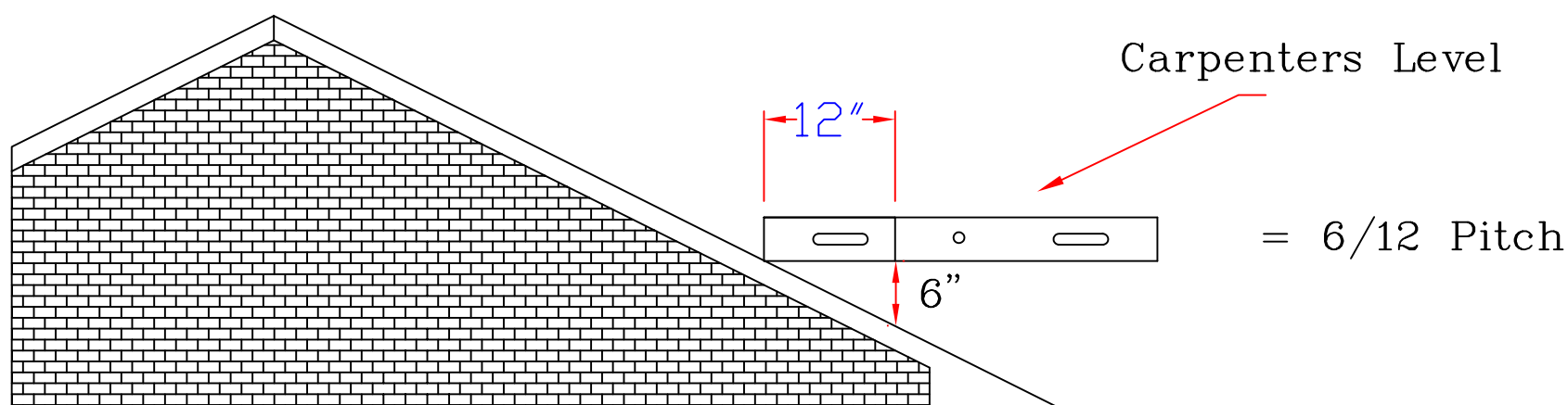


As all buildings differ; so do the anchoring techniques. Shown below is the most popular configuration. Call your dealer or factory for specific details.



All steeple orders require a roof pitch. Shown below is one example to determine your roof pitch



Place the level on the roof as shown (level). Measure out 12" from the BOTTOM corner of the level. From that point, measure straight down to the roof surface. That distance over 12 is the roof pitch.