

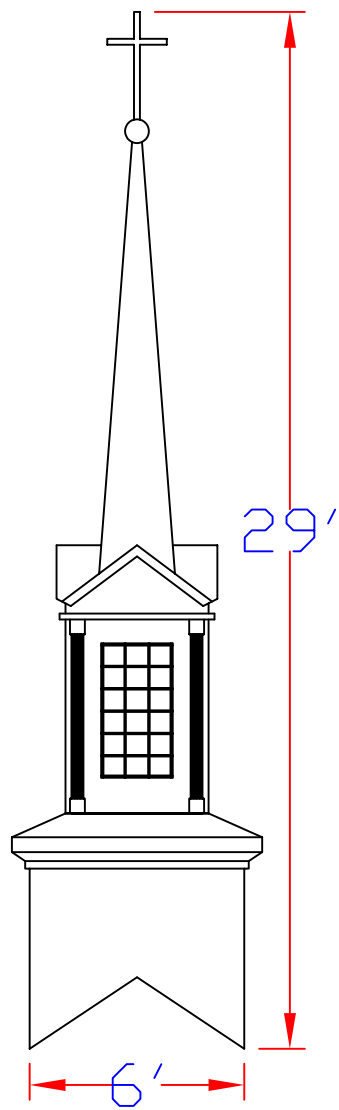
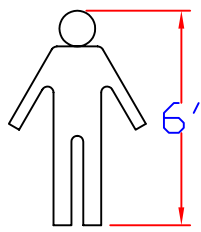
Model - 11

Height : 29'
 Width : 6'
 Weight : 1000#
 Cupola Options : N/A

Base Panels :
 All Standard
 All Premium

Standard Features:
 4-krinkle glass windows
 8-fluted pilasters

Also available with :
 7' base
 Louvers in cupola



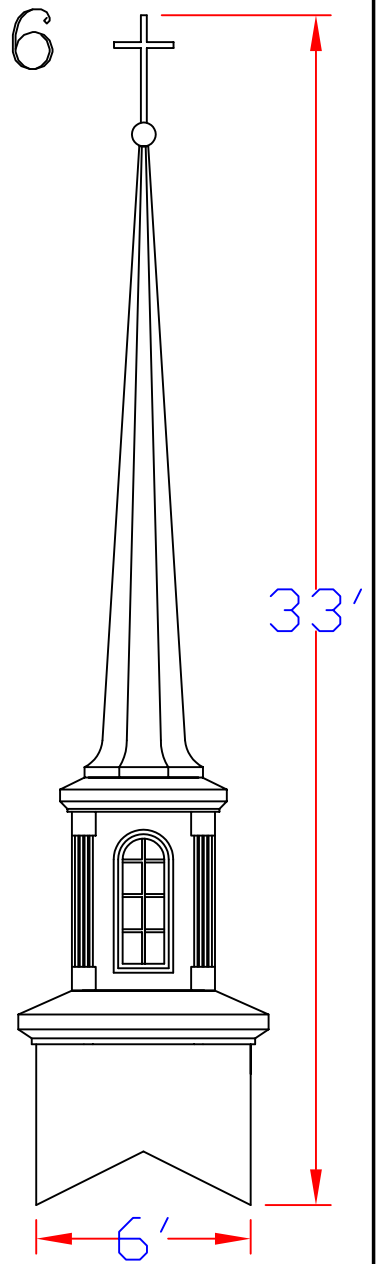
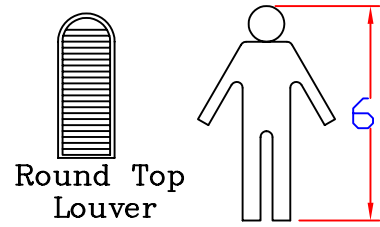
Model 10-6

Height : 33'
 Width : 6'
 Weight : 825#

Base Panels :
 All Standard
 All Premium

Standard Features:
 4-louvers
 8-fluted pilasters

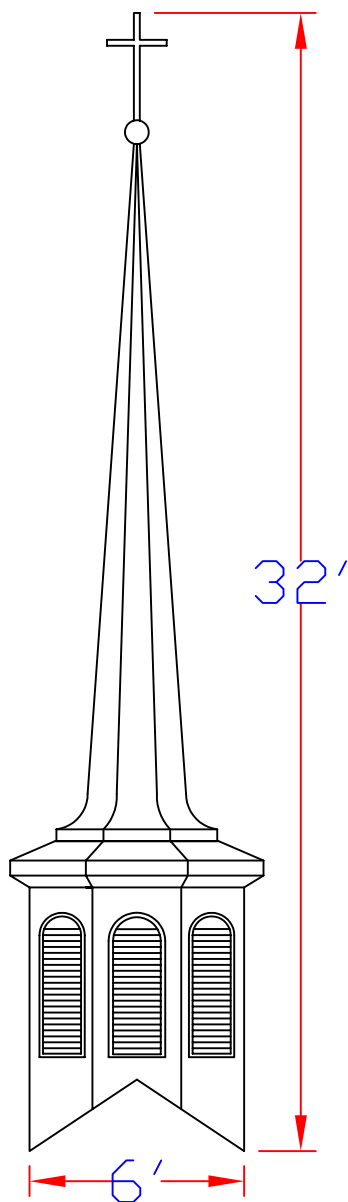
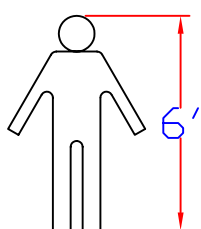
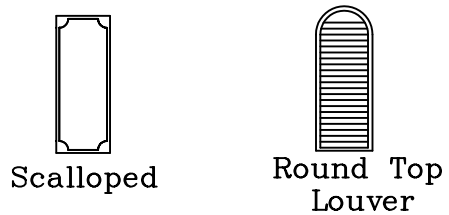
Also available with :
 7' base
 Louvers in cupola



Model - 12

Height : 32'
 Width : 6'
 Weight : 675#

Standard base panel options

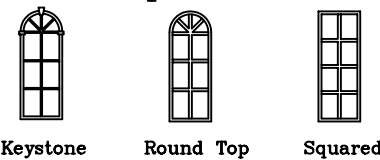


Model - 7

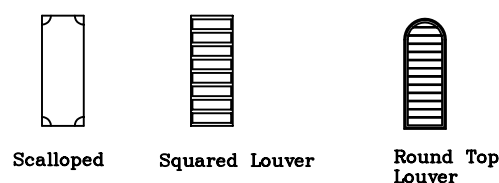
Height : 36'
 Width : 6'
 Weight : 850#

Base Panels :
 8-Scallop Standard

Premium Cupola Window Options



Standard Cupola Panels



Shown with
 Optional Keystone
 Cupola Window

