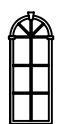


Model 3-5

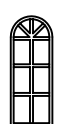
Height : 34'
 Width : 5'
 Weight: 800#

Base Panels :
 All Standard
 All Premium

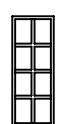
Premium Cupola Window Options



Keystone



Round Top



Squared

Standard Cupola Panels



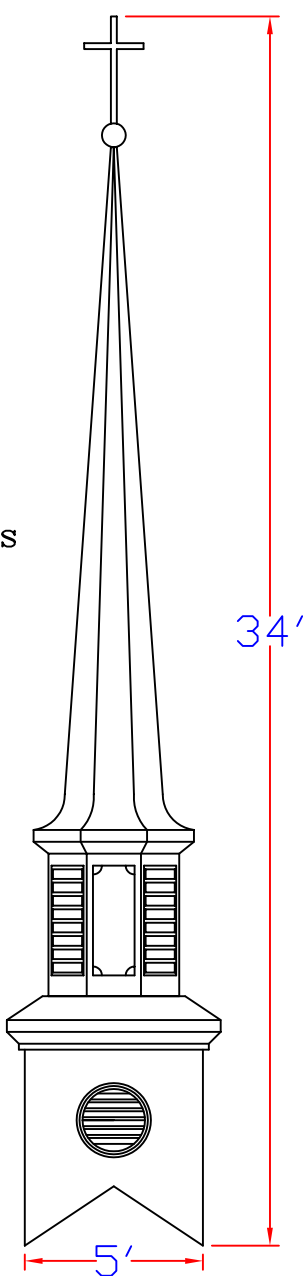
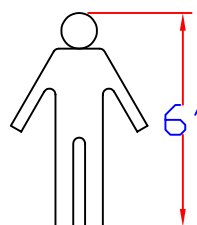
Scalloped



Squared Louver



Round Top Louver



Model 3-6

Height : 35'
 Width : 6'
 Weight: 900#

Base Panels :
 All Standard
 All Premium

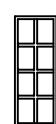
Premium Cupola Window Options



Keystone



Round Top



Squared

Standard Cupola Panels



Scalloped

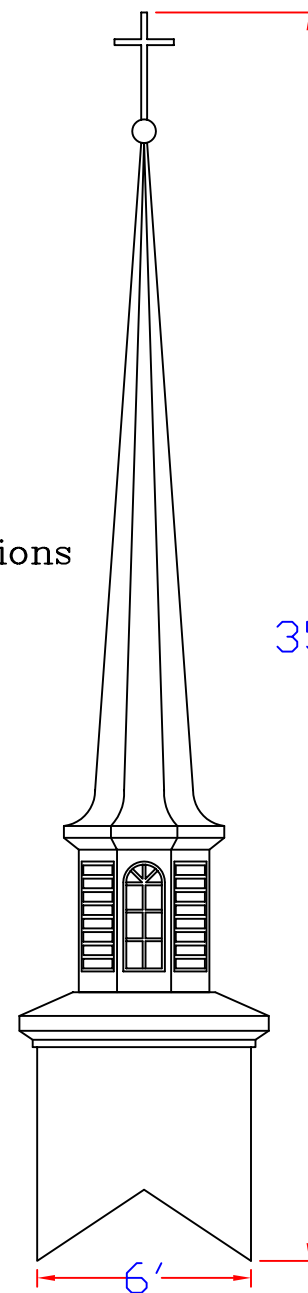
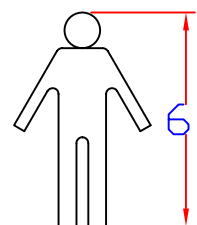


Squared Louver



Round Top Louver

Shown with
 Optional Round Top
 Cupola Window



Model 32-S

Height : 32'
 Width : 5'
 Weight: 675#

Base Panels : N/A

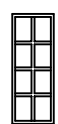
Premium Cupola Window Options



Keystone



Round Top



Squared

Standard Cupola Panels



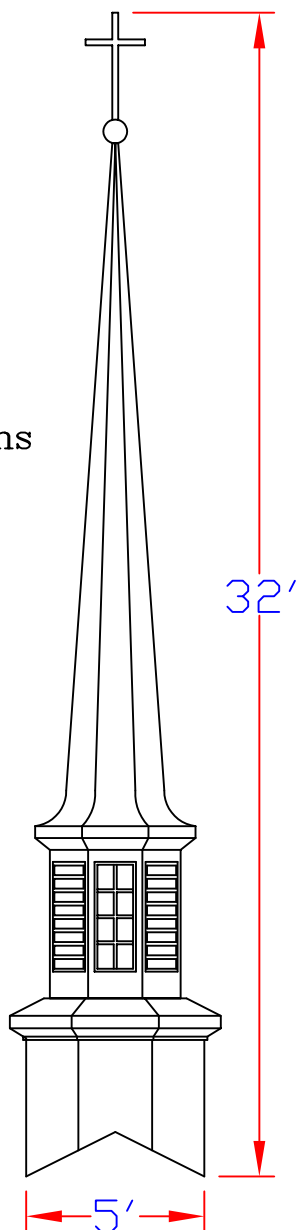
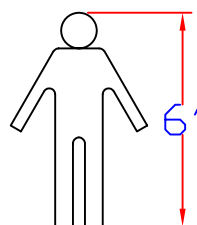
Scalloped



Squared Louver



Round Top Louver



Shown with
 Optional Squared
 Cupola Window

Model - 32

Height : 35'
 Width : 5'
 Weight: 800#

Base Panels :
 8-Scallop Standard

Premium Cupola Window Options



Keystone



Round Top



Squared

Standard Cupola Panels



Scalloped

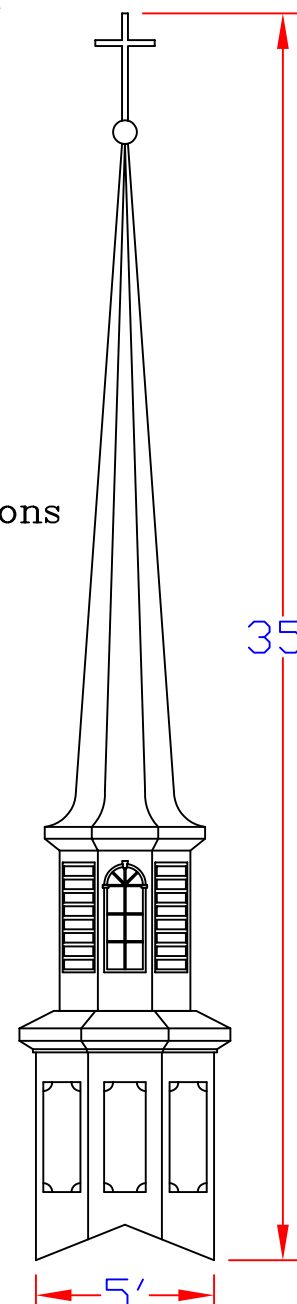
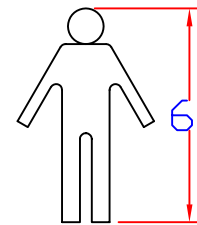


Squared Louver



Round Top Louver

Shown with
 Optional Keystone
 Cupola Window



P
R
E
M
I
E
R
S
E
R
I
E
S