

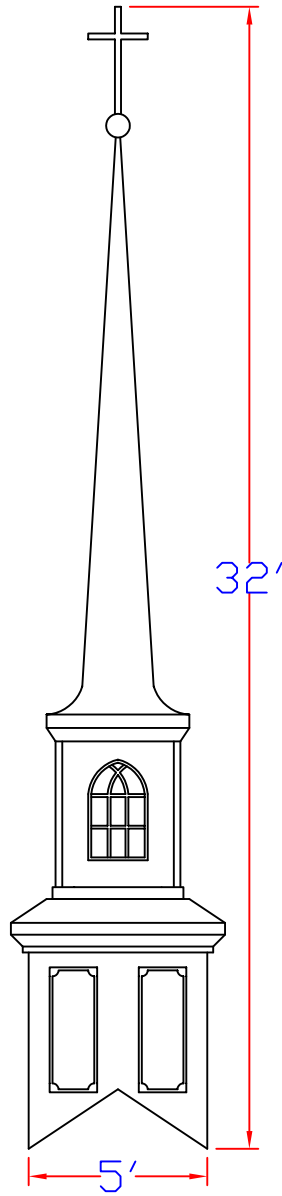
Model - 28

Height : 32'
 Width : 5'
 Weight : 800#

Cupola Panels :
 Gothic Window
 Round Top Window
 Venetian Window (shown)

Base Panels :
 All Standard
 All Premium

Standard Features:
 4-Krinkleglas Windows



*Premium Base Panel Shown

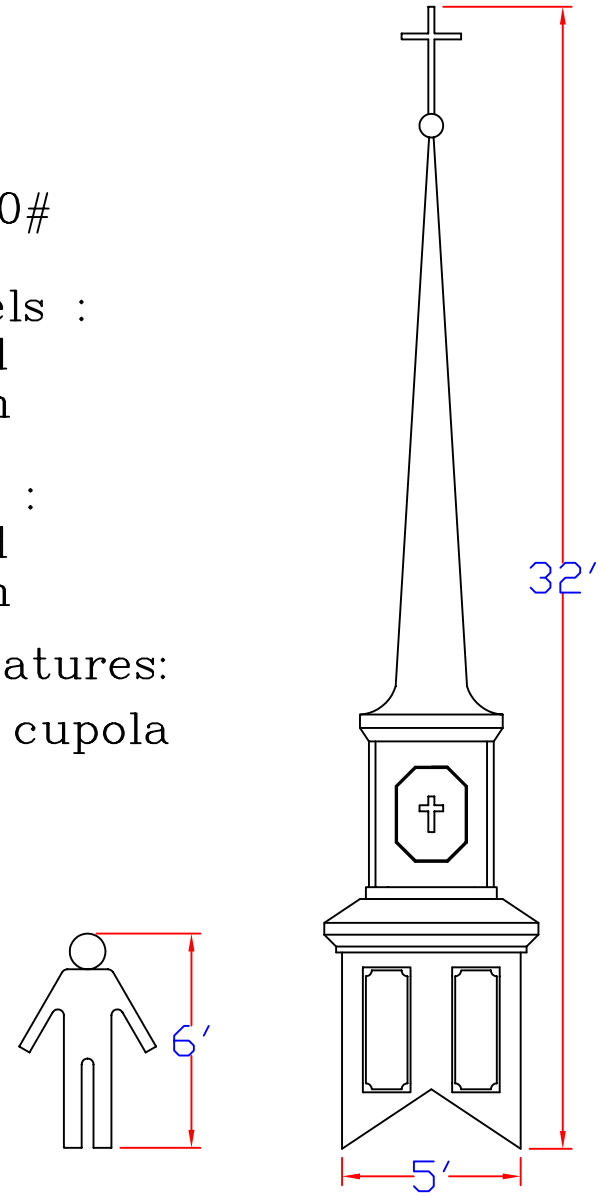
Model 8-5

Height : 32'
 Width : 5'
 Weight : 800#

Cupola Panels :
 All Standard
 All Premium

Base Panels :
 All Standard
 All Premium

Standard Features:
 4-Standard cupola panels



*Premium Base Panel Shown

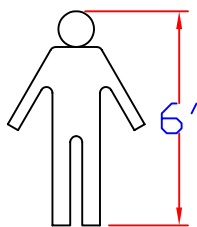
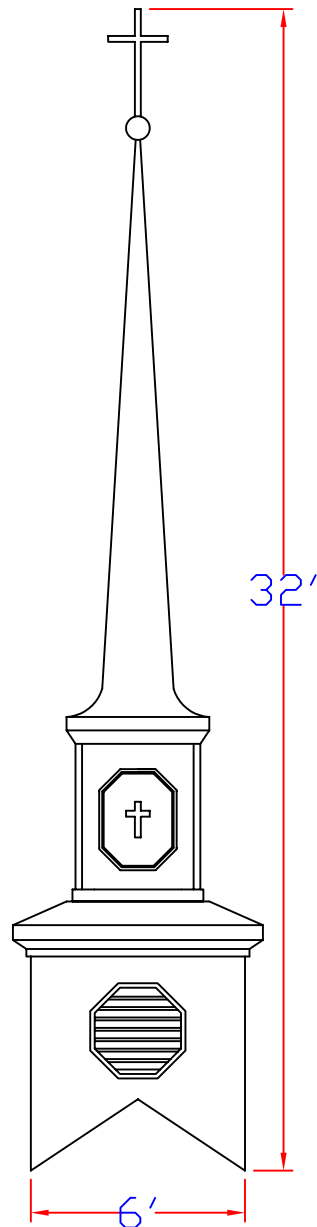
Model - 8

Height : 32'
 Width : 6'
 Weight : 850#

Cupola Panels :
 All Standard
 All Premium

Base Panels :
 All Standard
 All Premium

Standard Features:
 4-Standard cupola panels



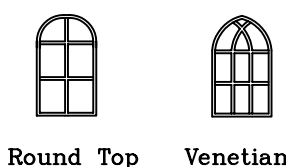
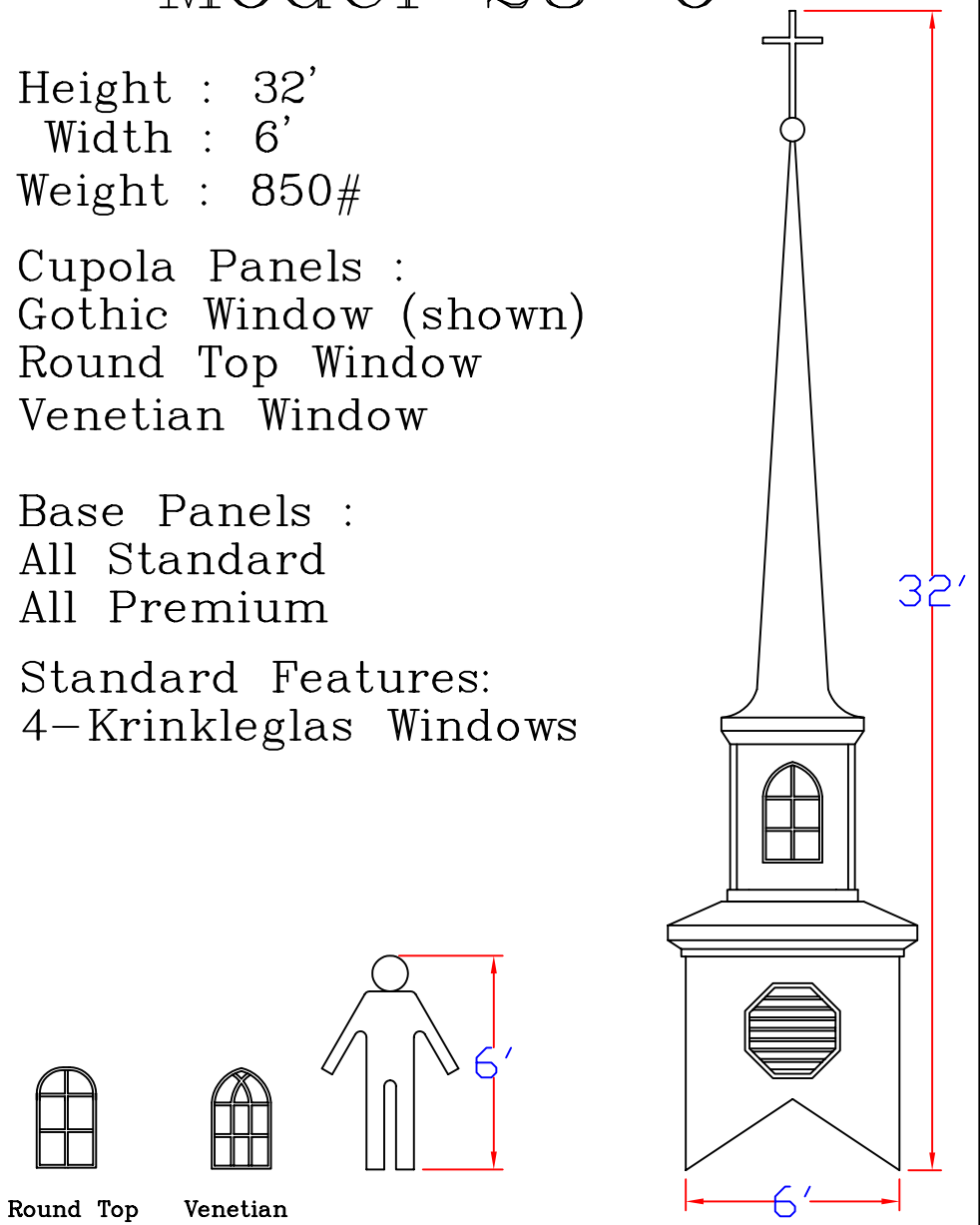
Model 28-6

Height : 32'
 Width : 6'
 Weight : 850#

Cupola Panels :
 Gothic Window (shown)
 Round Top Window
 Venetian Window

Base Panels :
 All Standard
 All Premium

Standard Features:
 4-Krinkleglas Windows



P
R
E
M
I
E
R
S

S
E
R
I
E
S